

# Android 11

## E-3



### Display

<b>Display size</b>	65",75",86"
<b>Display type</b>	DLED
<b>Aspect ratio</b>	16:9
<b>Screen display size</b>	1428.5×803.5/1649.7×927.9/1872×1053(mm)
<b>Physical resolution</b>	4K 3840×2160
<b>Instruction Set</b>	64-bit ARMv8-A
<b>Refresh rate</b>	60Hz
<b>Brightness</b>	≥350cd/m <sup>2</sup>
<b>Contrast</b>	4000:1
<b>Response time</b>	6ms
<b>Viewing angle</b>	178° /178°
<b>Display protection</b>	4mm full tempered high explosion-proof glass
<b>Backlight life</b>	50000 hours

### Screen characteristic

<b>Overall dimensions</b>	1522*102*938/1763.2*102*1057/2017*93*1207(mm, L*D*H)
<b>Consumption rate</b>	≤180W(not including ops)
<b>Standby power</b>	≤1W
<b>Voltage range</b>	AC100-240V~50/60Hz
<b>Net weight</b>	47.8kg / 67.3kg / 86kg
<b>Gross weight</b>	54.4kg /81.3kg /95.3kg
<b>Packaging size</b>	1653*1037*235/1873*1197*270/2135*1332*270 (L*W*T)
<b>VESA</b>	600 x400 mm/600 x400 mm/ 800 x400 mm
<b>Speaker specifications</b>	20W / 10Ω × 2

### Camera and mic parameters (optional)

<b>Microphones</b>	4 integrated microphones
<b>Pickup distance</b>	10m
<b>Sample rate</b>	Sampling frequency 48K Hz; sampling number 24bit
<b>Features</b>	Full duplex, echo cancellation, noise suppression
<b>Camera resolution</b>	Support 1080P
<b>Camera</b>	8 Mega, top *1
<b>Camera lens angle</b>	Not less than 90 degrees
<b>Angle</b>	105°/118°/120°

### System parameters

<b>CPU</b>	ARM Octa Core (A73*4 + A53*4) ;2.2GHz
<b>System version</b>	Android 11.0 Embedded Systems
<b>RAM</b>	8GB
<b>ROM</b>	128GB
<b>External storage</b>	Support MAX 32GB TF Card
<b>Back Input interface</b>	2*HDMI IN,1*VGA IN, 2*USB2.0, 1*Type-C, 1*AV IN, 1*RJ45, 1*RS232, 1*USB Touch,
<b>Back Output interface</b>	1*VGA Audio, 1*SPDIF, 1*Earphone, 1*AV OUT
<b>Front input interface</b>	1*USB Touch,1*HDMI ,3*USB3.0,1*Type-C
<b>WIFI</b>	Support IEEE 802.11 a/b/g/n/ac/ax,2.4G Hz /5G Hz
<b>Wireless transmission</b>	√

### Touch parameters

<b>Touch sensing</b>	Infrared sensing positioning recognition touch technology, HID free drive
<b>Writing method</b>	Fingers, touch pens or other non-transparent objects not less than 5mm in diameter, support 20 points finger touch
<b>Positioning accuracy</b>	More than 90% of the touch area is ≤1mm
<b>Reaction time</b>	<6ms
<b>Communication</b>	Support USB 2.0 (FULL SPEED) HID Compliant (Plug & Play) Touch PC Interface
<b>Touch resolution</b>	32768*32768
<b>Times of touches</b>	Unlimited time in theoretical
<b>transfer speed</b>	12Mb/s
<b>Driver</b>	Automatic system identification, free drive
<b>Operating system</b>	Support windows, Android, Mac OS, Linux
<b>Operating temperature</b>	0°C-40°C

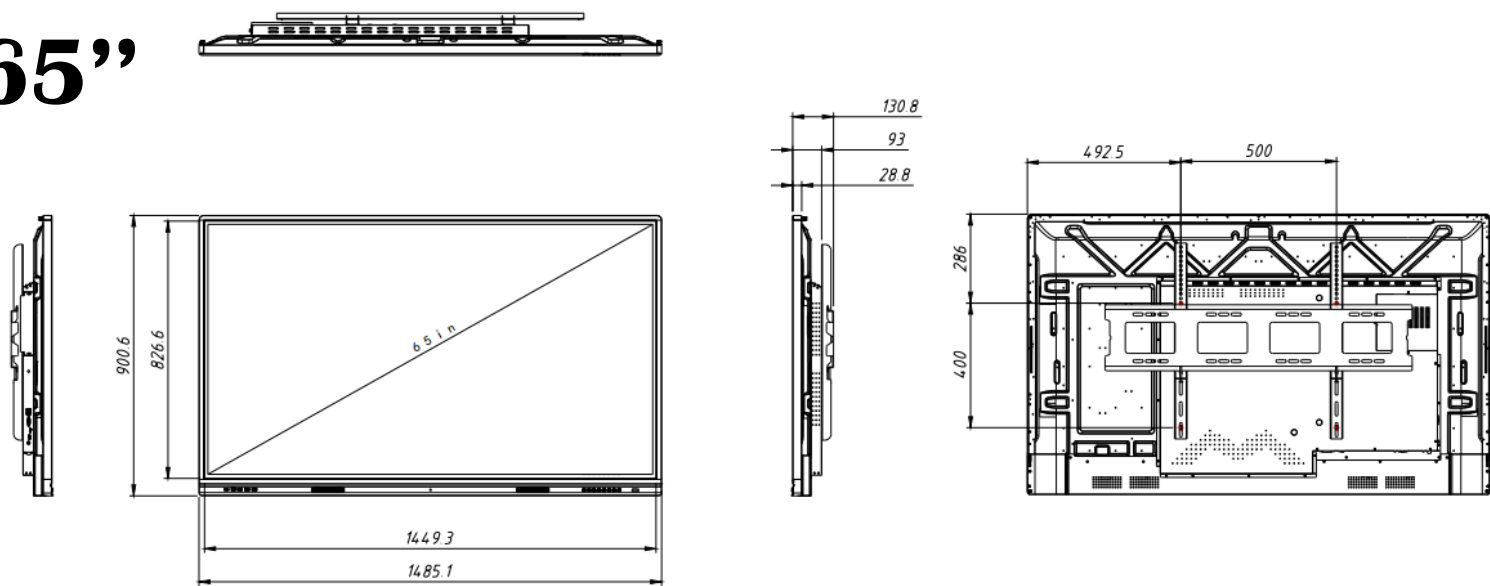
### Accessories

<b>Power cable</b>	1pcs
<b>Remote control</b>	1pcs
<b>Wall mount</b>	1pcs
<b>HDMI &amp;Touch USB</b>	1pcs
<b>Whiteboard pen</b>	2pcs

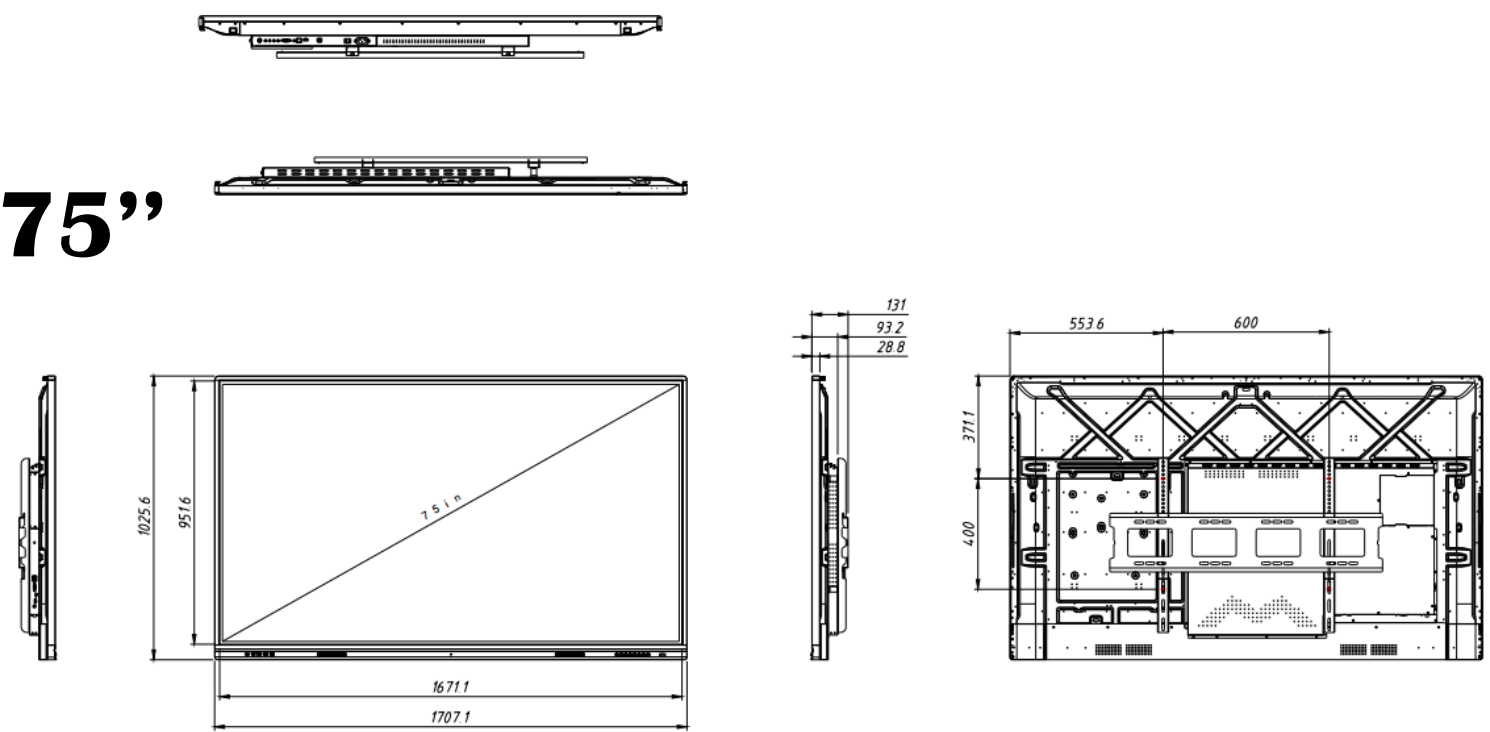
Details are subject to change without notice

DIMENSIONS

# 65''



# 75''



# 86''

