

M-8100



Display

Display size	65",75",86"
Display type	DLED
Aspect ratio	16:9
Screen display size	1428.5×803.5/1649.7×927.9/1872×1053(mm)
Physical resolution	4K 3840×2160
Display color	10bit/1.07Billion
Refresh rate	60HZ
Brightness	≥350cd/m ²
Contrast	4000:1
Response time	6ms
Viewing angle	178°
Display protection	4mm full tempered high explosion-proof glass
Backlight life	50000 hours

System parameters

CPU	Dual-core A73 and dual-core A53 1.5GHZ
System version	Android 8.0 Embedded Systems
RAM	4GB DDR4
ROM	32GB
External storage	Support MAX 128GB TF Card
Back Input interface	1* Mic,1*AV,1*VGA,1*Audio,2*HDMI,1*Component (Y/Pb/Pr),1*SPDIF,1*USB2.0,1*USB3.0,1*RJ45,1*RS232, 1*TF Card
Back Output interface	1*HDMI out,3*USB 2.0 touch,1*Earphone,1*RJ45/LAN,1*SPDIF
Front input interface	1*USB Touch,1*HDMI ,3*USB3.0
WIFI	2.4Ghz & 5Ghz
Wireless transmission	√
OPS interface	Support, 4K@60H、30HZ

Screen characteristic

Overall dimensions	1522*102*938/1763.2*102*1057/2017*93*1207(mm, L*D*H)
Consumption rate	≤180W(not including ops)
Standby power	≤1W
Voltage range	AC100-240V~50/60Hz
Net weight	47.8kg / 67.3kg / 86kg
Gross weight	54.4kg /81.3kg /95.3kg
Packaging size	1653*1037*235/1873*1197*270/2135*1332*270 (L*W*T)
VESA	600 x400 mm/600 x400 mm/ 800 x400 mm
Speaker specifications	15W / 8Ω × 2 bass effect speaker

Touch parameters

Touch sensing	Infrared sensing positioning recognition touch technology, HID free drive
Writing method	Fingers, touch pens or other non-transparent objects not less than 5mm in diameter, support 20 points finger touch
Positioning accuracy	More than 90% of the touch area is ≤1mm
Reaction time	<6ms
Communication	Type A USB Male, Support USB 2.0 (FULL SPEED) HID Compliant (Plug & Play) Touch PC Interface
Touch resolution	32768*32768
Times of touches	Unlimited time in theoretical
transfer speed	12Mb/s
Driver	Automatic system identification, free drive
Operating system	Support windows, Android, Mac OS, Linux
Operating temperature	0℃-40℃

Camera and mic parameters (optional)

Microphones	4 integrated microphones
Microphone distance	10m
Microphone sampling	Sampling frequency 48KHZ; sampling number 24BIT
Microphone Features	Full duplex, echo cancellation, noise suppression,
Camera resolution	support 1080P
Camera	8 Mega, top *1
Camera lens angle	Not less than 90 degrees
Angle	105 °/75°

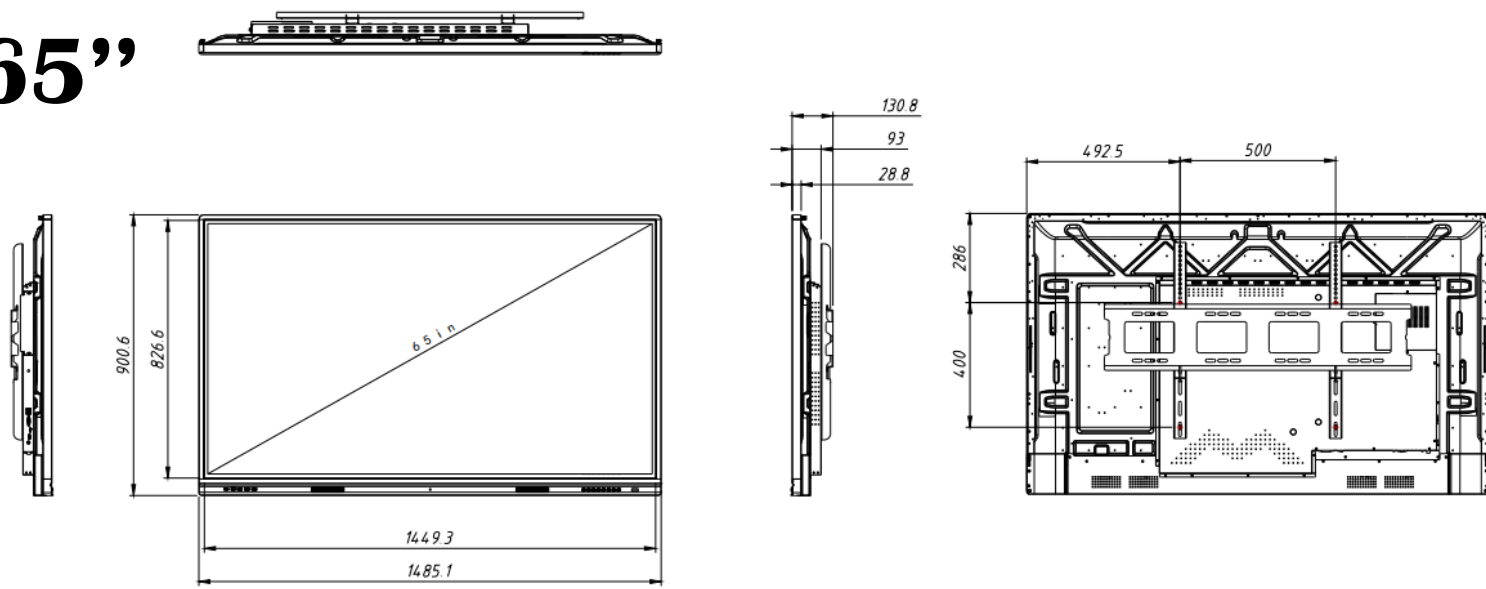
Accessories

Power cable	1pcs
Remote control	1pcs
Wall mount	1pcs
HDMI & Touch USB	1pcs
Whiteboard pen	2pcs

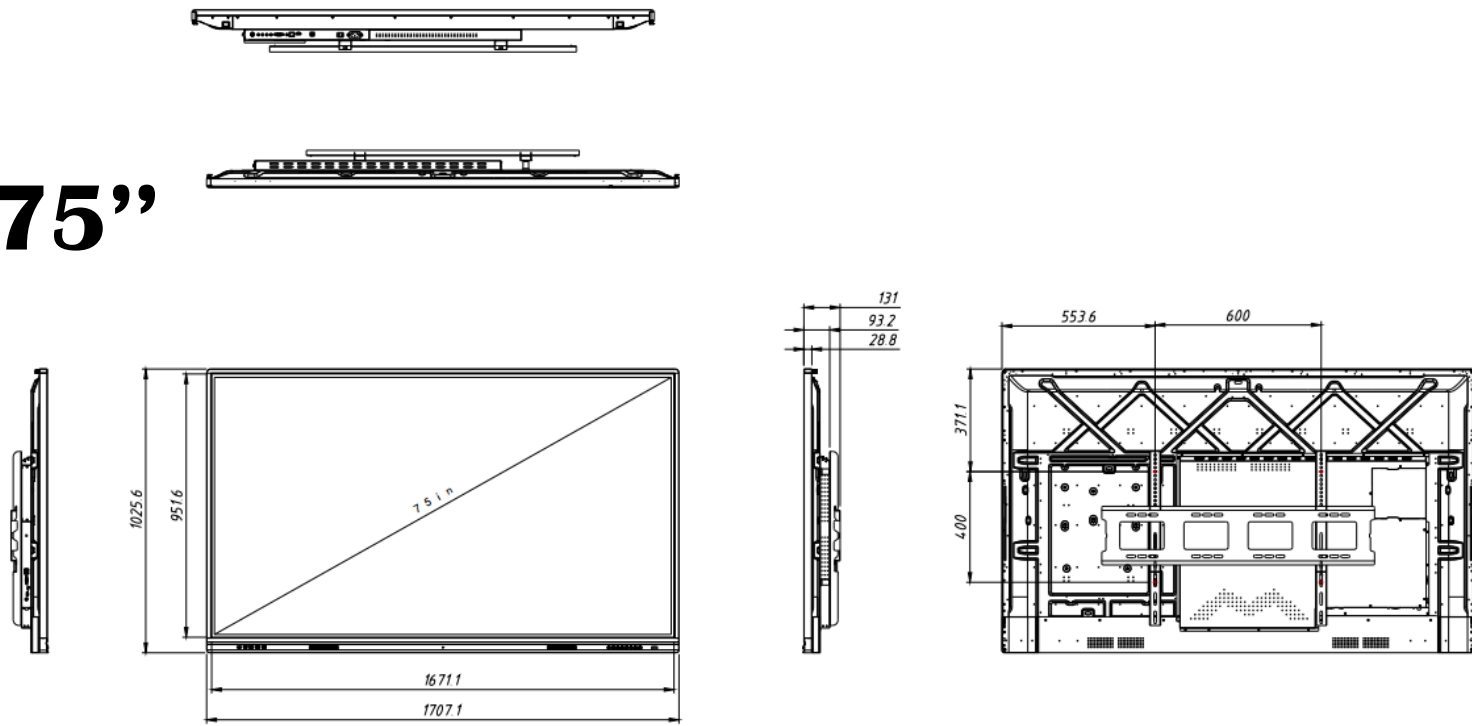
Details are subject to change without notice

DIMENSIONS

65''



75''



86''

