

M-9630



Display

Display size	65",75",85",86"
Display type	DLED
Aspect ratio	16:9
Screen display size	1428.5*803.5/1649.7*927.9/1869.16*1050.92/1872*1053(mm)
Physical resolution	4K 3840×2160
Display color	10bit/1.07Billion
Refresh rate	60HZ
Brightness	≥350cd/m ²
Contrast	4000:1
Response time	6ms
Viewing angle	178°
Display protection	4mm full tempered high explosion-proof glass
Backlight life	50000 hours

Screen characteristic

Overall dimensions	1522*102*938/1763.2*102*1057/1951*1169*89/2017*93*1207(mm,L*D*H)
Consumption rate	≤180W(not including ops)
Standby power	≤1W
Voltage range	AC100-240V~50/60Hz
Net weight	47.8kg / 67.3kg / 85.8kg/ 86kg
Gross weight	54.4kg /81.3kg /83kg/ 95.3kg
Packaging size	1653*1037*235/1873*1197*270/2092*1319*215/2135*1332*270 (L*W*T) mm
VESA	600 x400 mm/600 x400 mm/ 800 x400 mm
Speaker specifications	15W / 8Ω × 2 bass effect speaker

Camera and mic parameters (optional)

Microphones	4 integrated microphones
Microphone distance	10m
Microphone sampling	Sampling frequency 48KHZ; sampling number 24BIT
Microphone Features	Full duplex, echo cancellation, noise suppression, beamforming
Camera resolution	support 1080P
Camera	8 Mega, top *1
Camera lens angle	Not less than 90 degrees
Angle	105 °/75°

System parameters

CPU	Dual-core A73 and dual-core A53 1.5GHZ
System version	Android 11 Embedded Systems
RAM	2GB DDR4
ROM	16GB
External storage	Support MAX 128GB TF Card
Back Input interface	2*USB2.0,1*HDMI ,1*VGA,1*COAX, 1*Audio IN,1*RJ45/LAN,1*RS232, 1*Mic,1*TF Card,1*YPbPr,1*AV
Back Output interface	1*Earphone,1*USB2.0 touch, 1*AV OUT
Front input interface	1*USB Touch,1*HDMI ,3*USB3.0
WIFI	support IEEE 802.11 a/b/g/n/ac, 2.4Ghz /5Ghz
Wireless transmission	√

Touch parameters

Touch sensing	Infrared sensing positioning recognition touch technology, HID free drive
Writing method	Fingers, touch pens or other non-transparent objects not less than 5mm in diameter, support 20 points finger touch
Positioning accuracy	More than 90% of the touch area is ≤1mm
Reaction time	<6ms
Communication	Type A USB Male, Support USB 2.0 (FULL SPEED) HID Compliant (Plug & Play) Touch PC Interface
Touch resolution	32768*32768
Times of touches	Unlimited time in theoretical
transfer speed	12Mb/s
Driver	Automatic system identification, free drive
Operating system	Support windows, Android, Mac OS, Linux
Operating temperature	-10℃-60℃

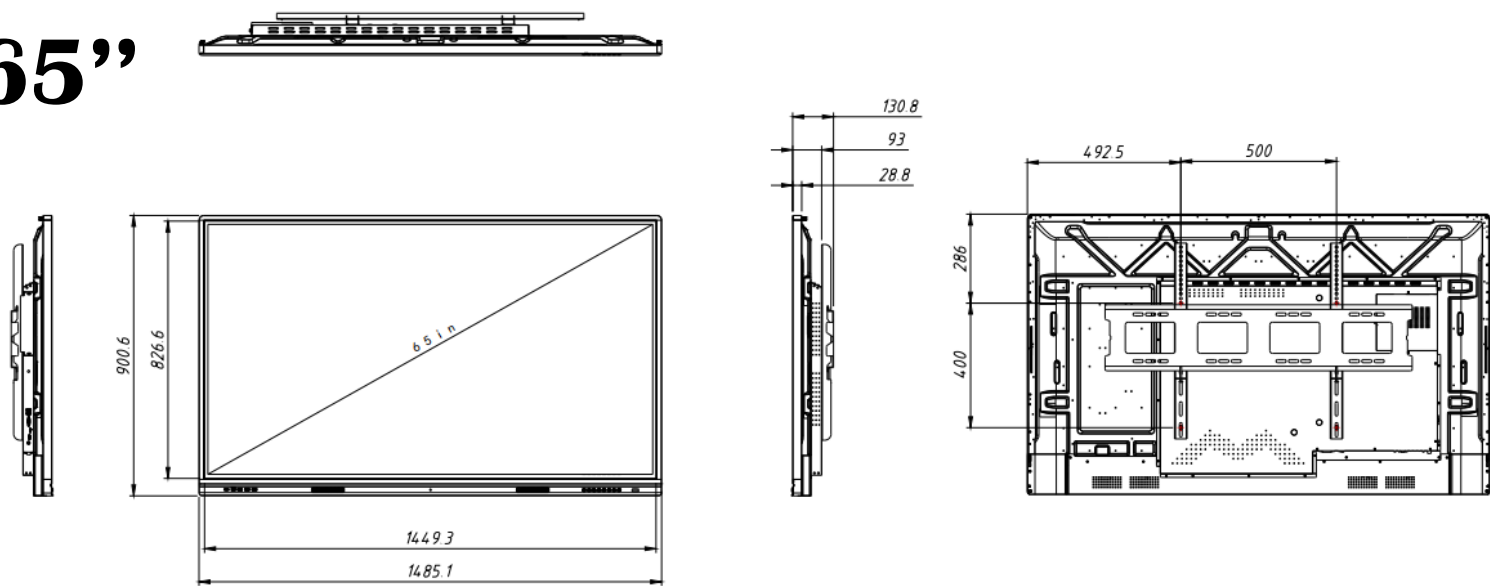
Accessories

Power cable	1pcs
Remote control	1pcs
Wall mount	1pcs
HDMI &Touch USB	1pcs
Whiteboard pen	2pcs

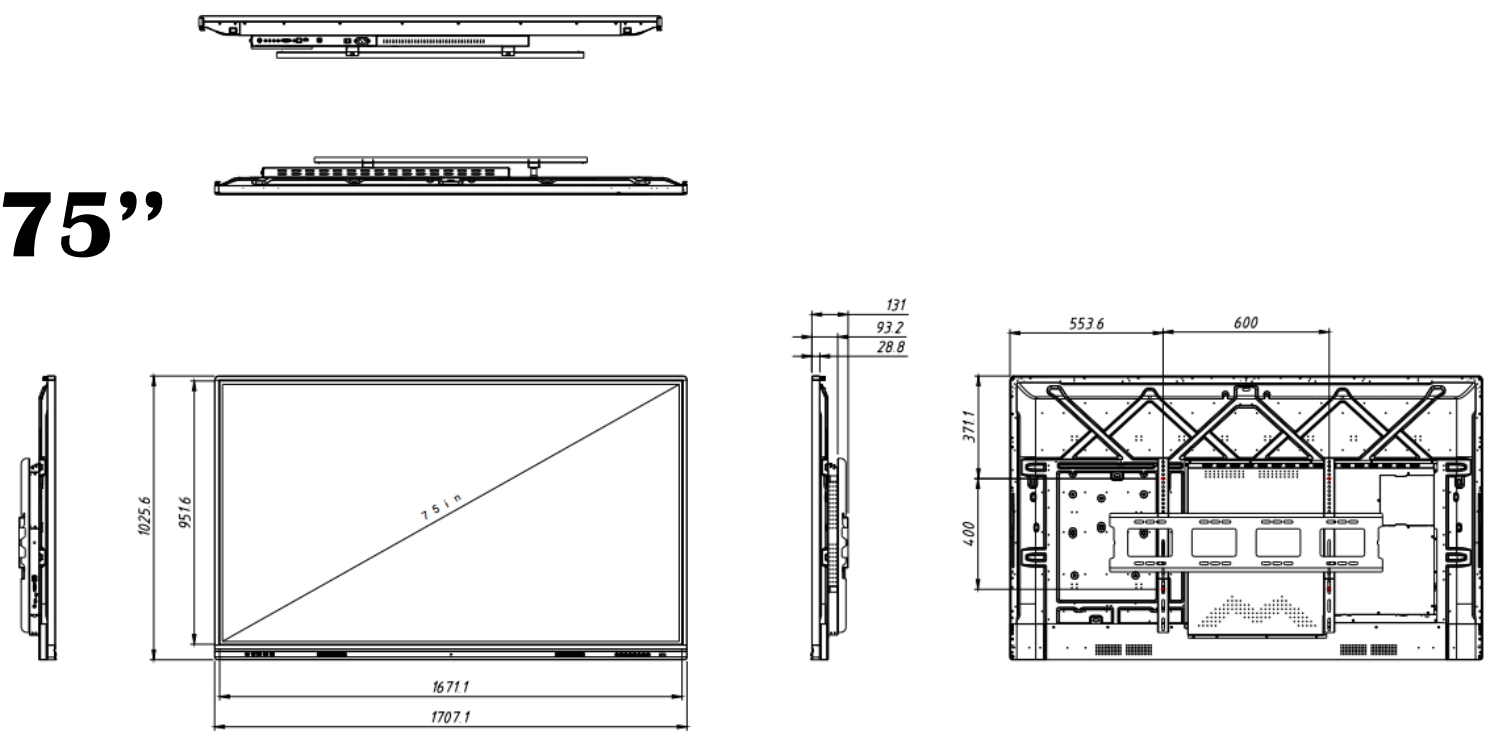
Details are subject to change without notice

DIMENSIONS

65''



75''



86''

